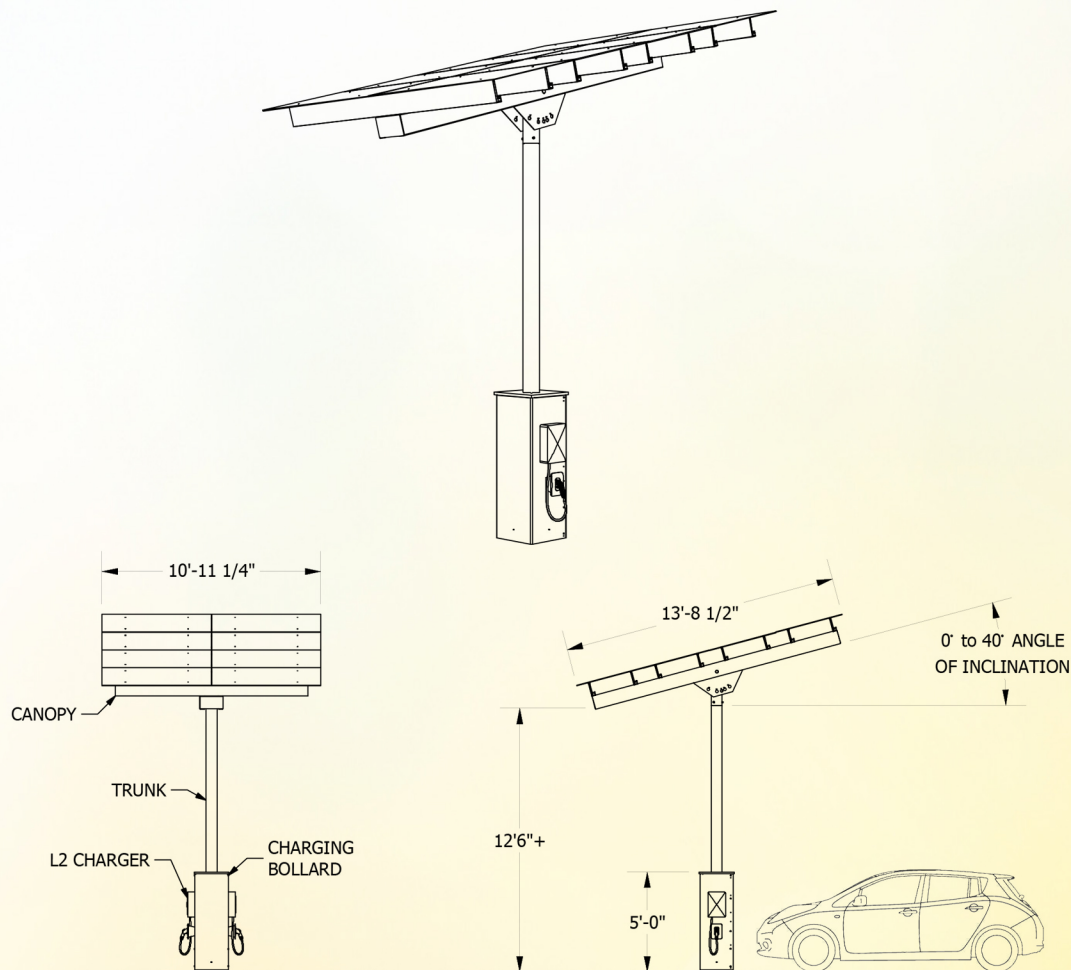


# T1 BRIGHTFIELD CHARGING STATION



## TECHNICAL INFORMATION

- Typical Level 2 chargers require an interconnection with a single phase or a three phase service. Typical DC fast chargers require an interconnection with a three phase service.
- Solar generated electricity can be back fed into site owners existing electrical service panel or directly into a utility interconnection, or into integrated on site battery storage (available at additional cost).
- Brightfield Charging Stations require a 24" diameter augered foundation at each Charging Bollard.
- Brightfield recommends that all operable charger components are mounted below 48" and that access to chargers is unobstructed for ADA access. Local codes may have additional ADA compatibility requirements.
- Standard Brightfield Charging Stations are engineered to meet 120MPH wind and 20PSF live load ratings (160+ MPH wind and higher live load ratings upgrades are available on all models at additional cost).
- Networked Chargers' communication capabilities require secure WiFi, LAN or Cellular (cell fees will apply); Solar Inverter reporting functionality requires WiFi or LAN.
- Brightfield specifies "Buy American" compliant solar panels and American-made steel and aluminum.

## BRIGHTFIELD® SOLAR DRIVEN® BENEFITS

Brightfield® Solar Canopy Size	2.3 kW
Annual Electricity Production	3,412 kWh
Annual Solar Driven® EV Miles Produced	14,330
Annual Gallons of Gasoline Displaced	508
Annual Barrels of Oil Avoided	26
Annual Emissions Avoided	16,491 lbs.

## TAX CREDITS

Solar-integrated Brightfield Charging Stations qualify for a 30% federal solar tax credit and accelerated depreciation that combine to offset upwards of 60% of the purchase price Year 1.\*

\* Clients should consult their certified tax professional as to their eligibility for tax benefits and the ramifications of their participation in this activity for their unique and individuated tax circumstances.



**Brightfield.**